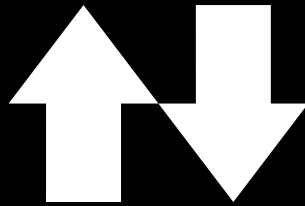




**OVERHEAD
DOOR
OPENERS**



OVERHEAD DOOR PNEUMATIC OPENERS



ORIGINAL

MAGNAGLIDE

POWERGLIDE

- Ideal for car wash environments with corrosion resistant components
 - All stainless steel and aluminum hardware
 - Adjustable speed
 - Best for high cycle applications
-



ORIGINAL

ORIGINAL AIR OPENER FEATURES

- Anodized Aluminum construction
- Ideal for High Lifted doovrs
- 1-year unconditional warranty

OVERHEAD DOOR PNEUMATIC OPENERS



MAGNAGLIDE



MAGNAGLIDE OPENER FEATURES

- Horizontal or Vertical option available
- Stainless Steel Cylinder with magnetic connection
- Direct drive operation
- Cushioned spring stop
- Eliminates cable jumping
- 3-year unconditional warranty

POWERGLIDE



POWERGLIDE OPENER FEATURES

- Hardcoat aluminum construction
- Direct drive operation
- Rated for doors up to 16 ft. high
- Built in cushioned stop
- Eliminates cable jumping
- 3-year unconditional warranty

OVERHEAD DOOR PNEUMATIC OPENERS



STANDARD CONTROLLER FEATURES



- NEMA 4X rated enclosure
- UL Listed Controls
- 24VAC Fused Circuitry
- Standard open/close/ e-open buttons
- 110V supply to control box
- 12" Wide x 13.5" Tall x 6" Deep
- Safety eyes included

AIR OPERATOR CONTROL OPTIONS

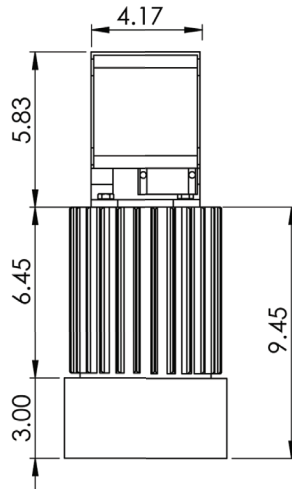
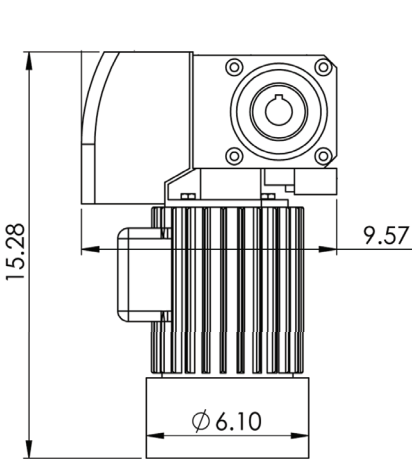
- Closing Timer
- Inline Air Dryer
- Automatic Oiler
- Install Kit with Fittings and Airline
- Loop Kits
- Automatic Door Closing Kit
- Tunnel Control Package
- Nema4x - 2 button station
- Remote Transmitter and Receiver
- Floor Cut off Limit switch for photo eyes

E-MAXX OVERHEAD DOOR ELECTRIC OPENER



MOTOR FEATURES

- 3 Phase, 240V motor; powered by 110v controller
- Corrosion resistant components
- Built in limit switches (standard model)
- Electronic limits (platinum)
- No cooling fan needed
- Individually replaceable components.
- Pull Cord Manual Release for Emergency Exit
- Max Speed 30" per second



E-MAXX OVERHEAD DOOR ELECTRIC OPENER



STANDARD CONTROLLER FEATURES



- VFD (Variable Frequency Drive) for adjustable speeds
- 110V controller converts power to 3 phase, 240V output for motor
- 24VDC control circuitry
- Nema 4X rated waterproof enclosure
- Internal circuit breakers
- UL listed
- Safety eyes included
- Optional closing timer
- Other control options available
- 13.25" Wide x 15.5" Tall x 7.25" Deep

PLATINUM CONTROLLER FEATURES



- Electronic limits, No mechanical limits to set
- Individually adjustable open & close speeds (Open faster and close slower)
- Adjustable cushion stops on open and close
- Touch screen interface with self diagnostics makes troubleshooting much easier
- Built in timer with two modes:
 - Standard timer (Will time out after open limit is reached)
 - Safety eye triggered timer (Will time out after vehicle drives through safety eyes)
- NEMA 4X rated enclosure
- UL Listed Controls
- 16" Wide x 17" Tall x 9" Deep
- Time of Day Control
 - Ability to open or close doors at specified time
- Safety Eyes included

E-MAXX OVERHEAD DOOR ELECTRIC OPENER



PLATINUM CONTROLLER OPTIONS

TEMPERATURE CONTROL OPTION

- Can hold door open above a set temperature
- Door will automatically close and run open/close normally if temp falls below set temperature
- Set temperature is adjustable
- *Requires additional temperature probe

BATTERY BACKUP OPTION

- Ability to operate door in case of power failure for emergency exit

REMOTE MONITORING OPTION

- Does not allow remote operation of the doors
- Remote monitoring capability from any internet connected device
- Email/text notifications for low in bay temperature
- Temperature notifications require additional temperature probe
- Remote monitoring outside of local network requires one of the following:
 - Ability to access your local network from remote location (Consult your IT company)
 - Or... Additional cellular modem and subscription plan

40 YEARS

EXPERIENCE IN THE CAR WASH INDUSTRY



400 HIGHWAY 55 W
MAPLE LAKE, MN 55358

888-368-4403
AIRLIFTDOORS.COM

QUALITY CRAFTSMANSHIP AND A NAME YOU CAN TRUST.