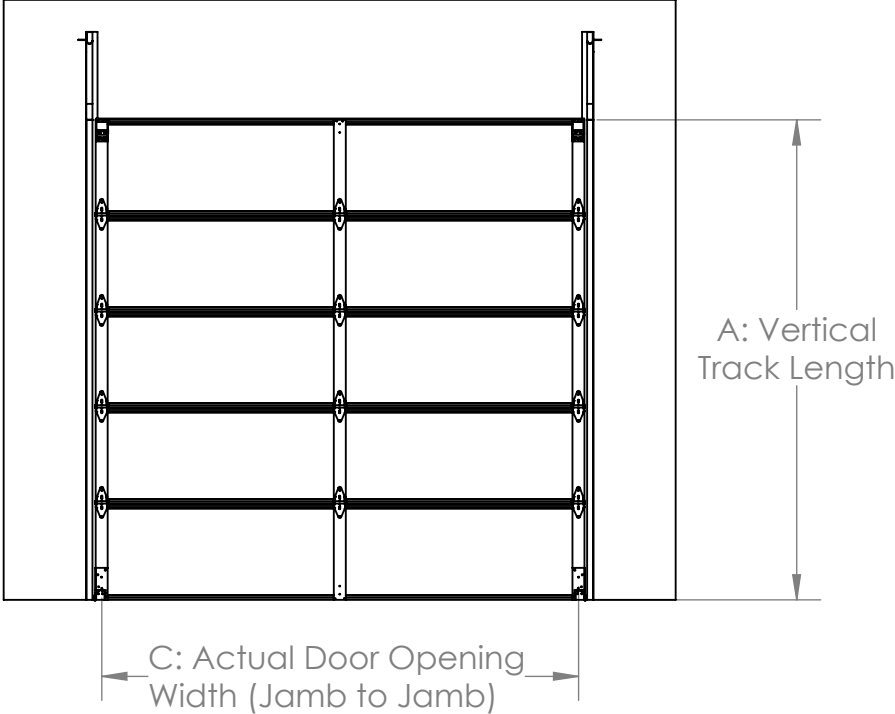
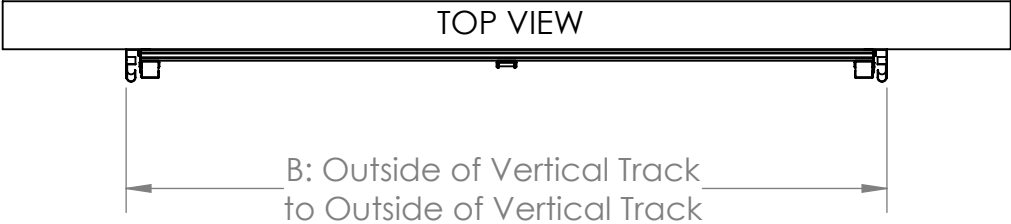
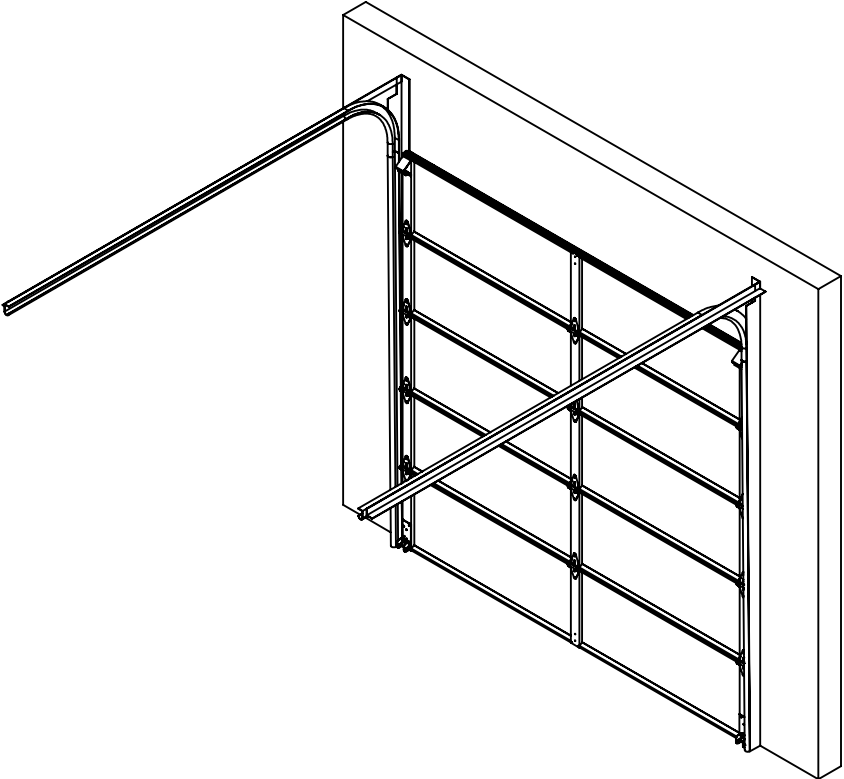


# Measurement Form for XRS Roll Up Door Mounted Inside an Existing Sectional Door



PLEASE FILL OUT THE FOLLOWING MEASUREMENTS:

A: Vertical Track Length: \_\_\_\_\_

B: Outside to Outside of Track: \_\_\_\_\_

C: Door Opening Width: \_\_\_\_\_

**\*\*Please note that your door will be engineered using the exact dimensions you provide on this form. Please sign below stating the measurements you understand this and the measurements you are providing are accurate.**

Signed By: \_\_\_\_\_

Date: \_\_\_\_\_