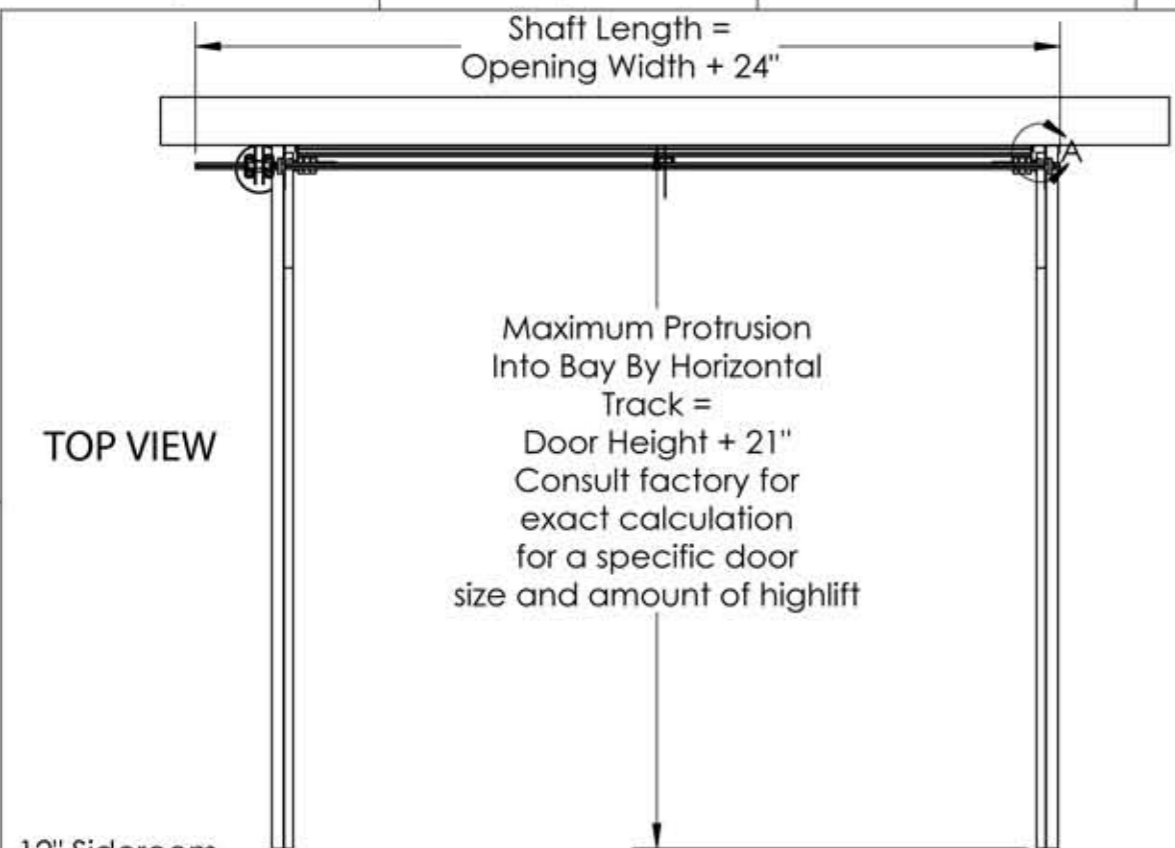
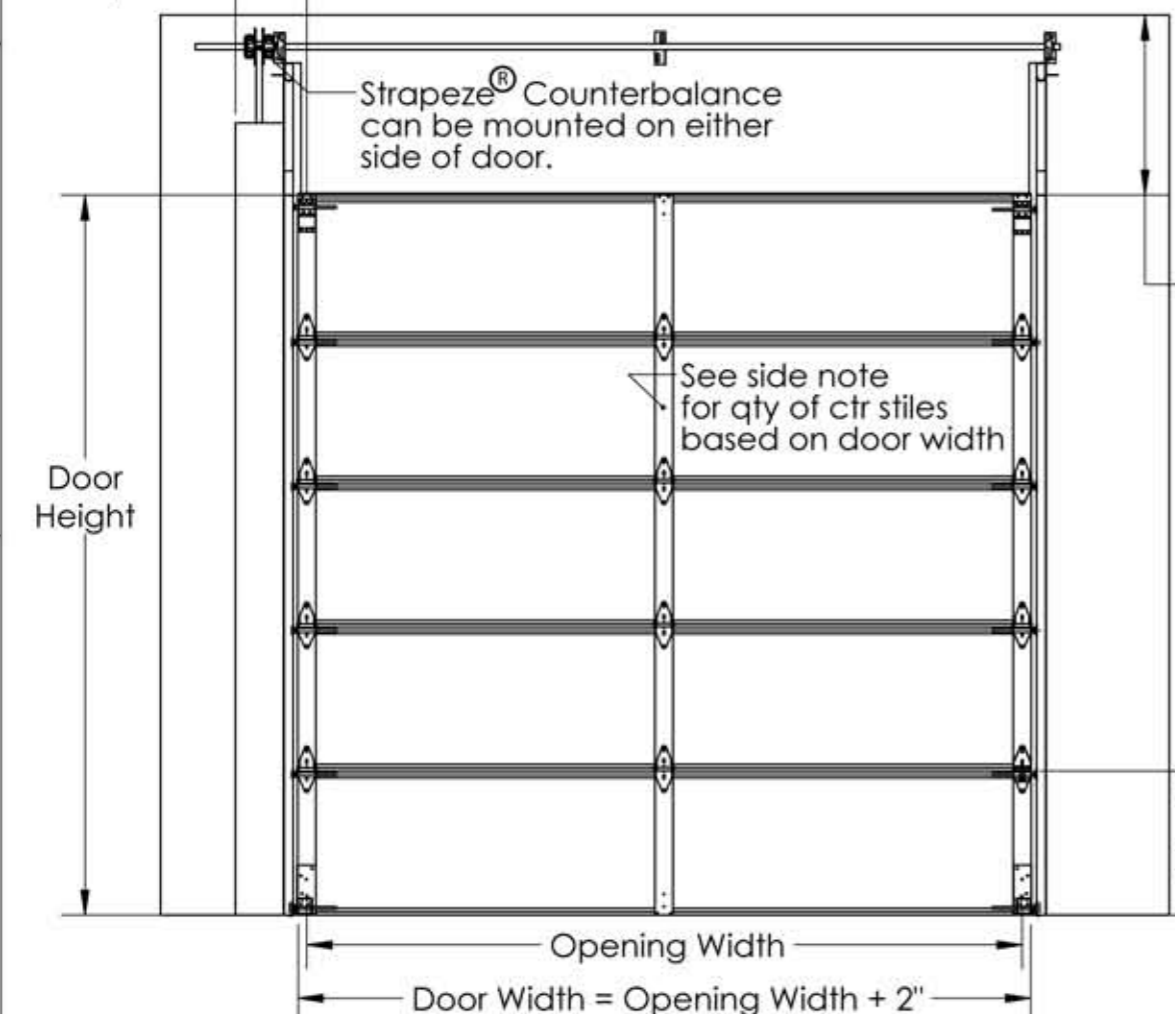


**TOP VIEW**



12" Sideroom  
Required For  
Strapeze



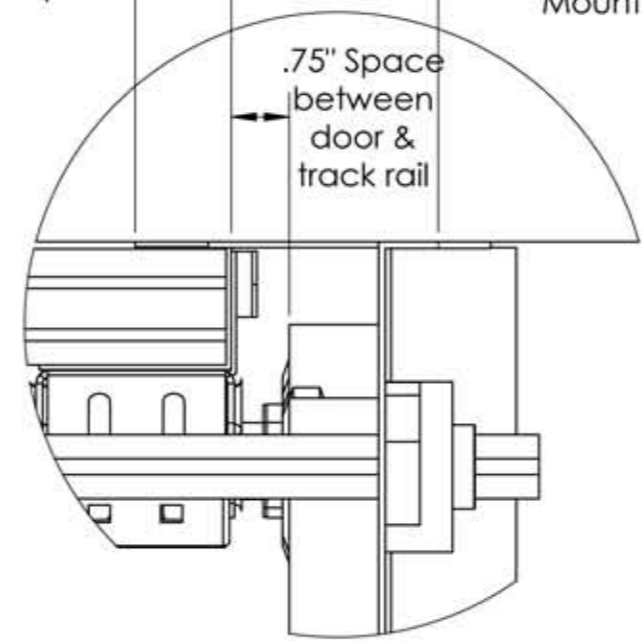
Door Height

Strapeze<sup>®</sup> Counterbalance  
can be mounted on either  
side of door.

See side note  
for qty of ctr stiles  
based on door width

Section Height  
18" - 24"  
Depending On  
Door Height

1" Door  
Overlap



DETAIL A  
SCALE 1 : 3

Headroom =  
Ceiling Height -  
Engineered Ceiling Height  
(Minimum Headroom Requirements)  
For Doors With Strapeze System  
18"

Floor To Bottom  
Of Horizontal Track =  
Ceiling Height - 10"

Floor To Center  
Of Shaft =  
Ceiling Height - 5"

Ceiling Height  
(Actual or  
Engineered)

**\*\*NOTE\*\***

Engineered Ceiling Height is the floor to ceiling height used by the factory at the time the door is engineered. This may be different than actual ceiling height due to specific door and/or opener options chosen. Consult factory for engineered ceiling height for a specific door configuration.

**Center Stile Quantities vs. Door Width**

Door Width Range	Qty of Ctr Stiles
4'0" - 10'11"	1
11'0" - 15'11"	2
16'0" - 18'11"	3
19'0" - 21'11"	4
22'0" - 24'2"	5

**Section Quantities vs. Door Height**

Door Height	Qty of Sections
6'2" - 8'1"	4
8'2" - 10'1"	5
10'2" - 12'1"	6
12'2" - 14'1"	7
14'2" - 16'1"	8
16'2" - 18'1"	9
18'2" - 20'1"	10
> 20'1"	Consult Factory

TITLE:  
Alaska Door With Strapeze<sup>®</sup>  
GENERAL SPEC DRAWING

SIZE <b>B</b>	DWG. NO.	REV
		SHEET 1 OF 1